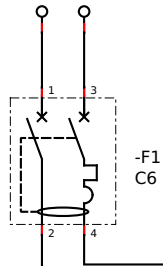


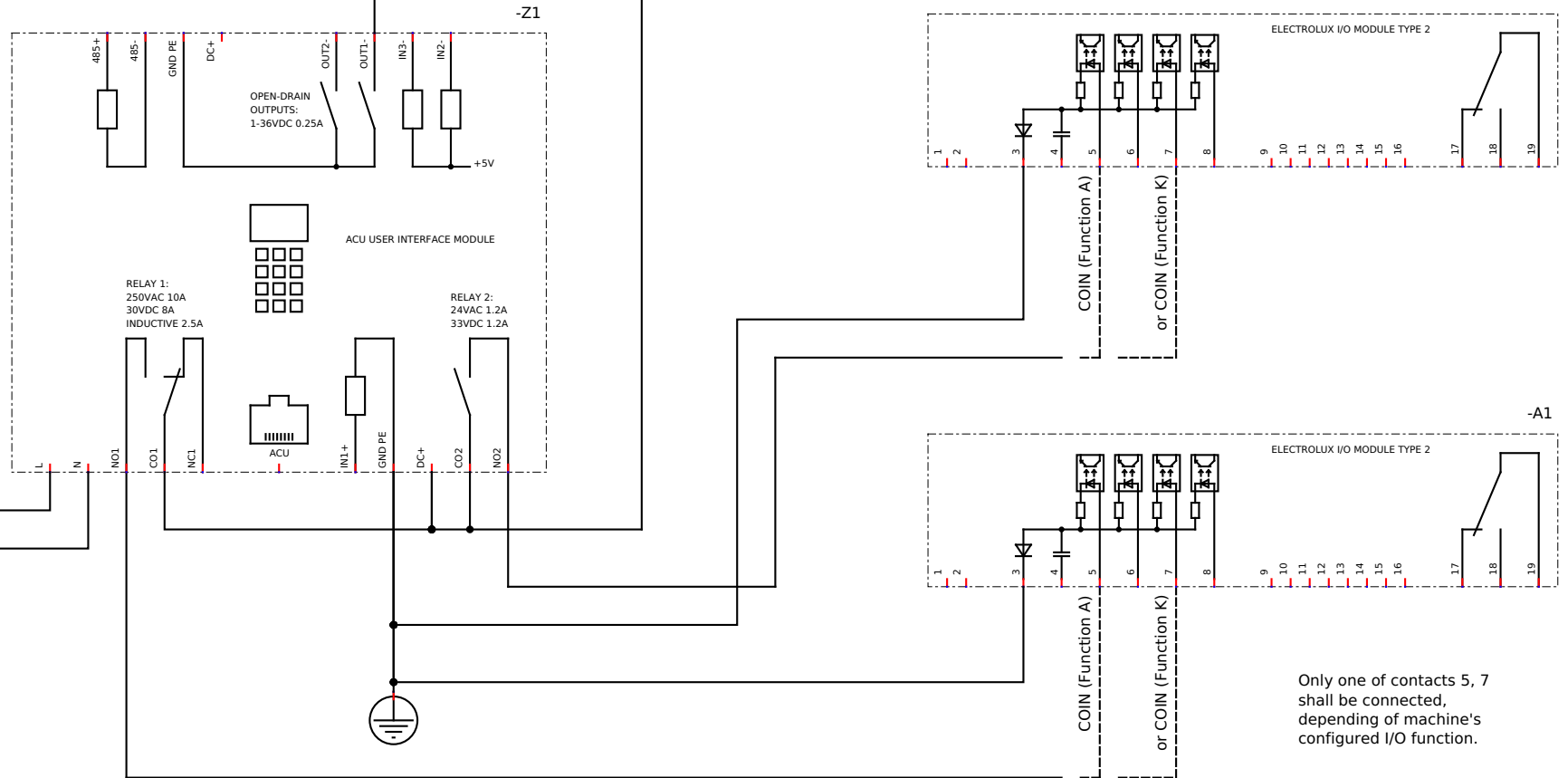
ACU sends a 24 V DC pulse to open the machine for an initial time period.  
 Subsequent pulses shall add extra time to the machine.  
 User's payment is depleted immediately after every pulse has been sent.

Connecting to ACU UI top terminals:  
 - max. wire cross section: 0.75mm<sup>2</sup>  
 - take out ACU power supply,  
 - insert wires into terminals,  
 - install power supply.

Disconnecting from top terminals:  
 - gently push the terminal down with  
 a small flat screwdriver,  
 - remove wire.



ACU inputs L, N:  
 100-240 V AC  
 0.45 A, avg. 2 W.



Only one of contacts 5, 7 shall be connected, depending of machine's configured I/O function.